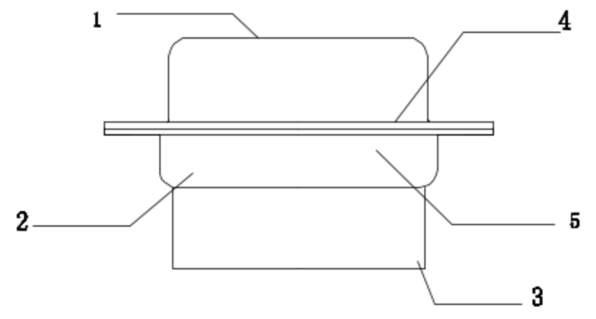
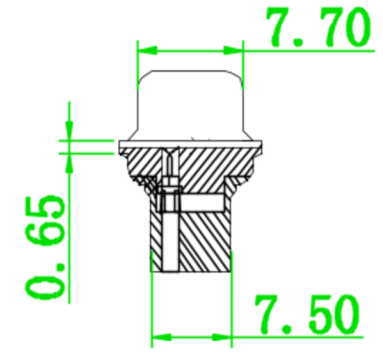
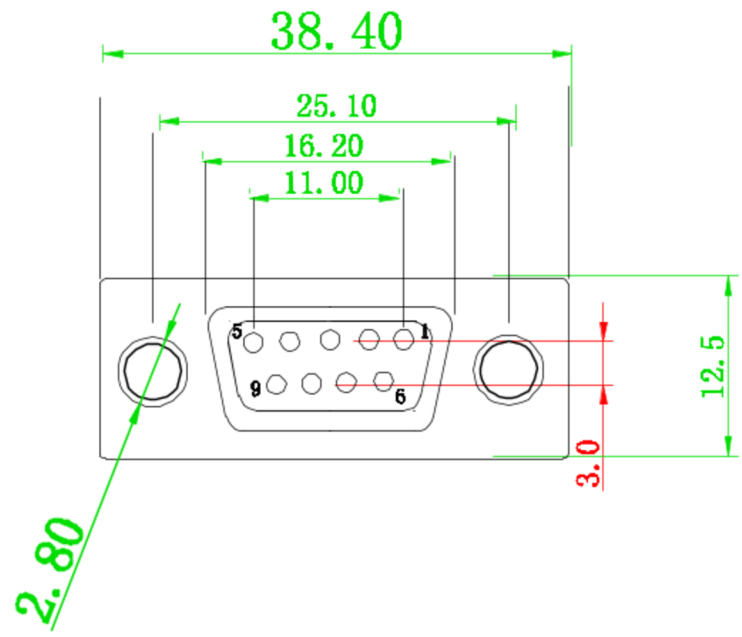


REVISION INFORMATION			
Rev.	Rev. Date	Modified By	Brief Description



- 1. PRIDUCT SERIES;DBW SILDER POT
- 2. CONTACT OPTION;2;RECEPTAC
- 3. IRREGULAR CHANGES;0;STANDARD
- 4. POSITIOINS;9PIN
- 5. INSULATIOIN COLOR;SLUE

drawing force:above 0.8kg(based on terminal without deformation)

# LANshack

Sales@LANshack.com | 888-568-1230

<b>DRAWN BY</b>	<b>DATE:</b> 2012/7/6	<b>DESCRIPTION:</b> DB9 Female Crimp Pin Connector 9 Pin for Custom Pinout
<b>CHECKED BY</b>	<b>SHEET 1 of 1</b>	<b>ITEM NO.</b> LSBL-CON-D9-F-CP
<b>APPROVED BY</b>	<b>SCALE 1:1</b>	<b>REV. 00</b> <b>UNIT: mm</b>